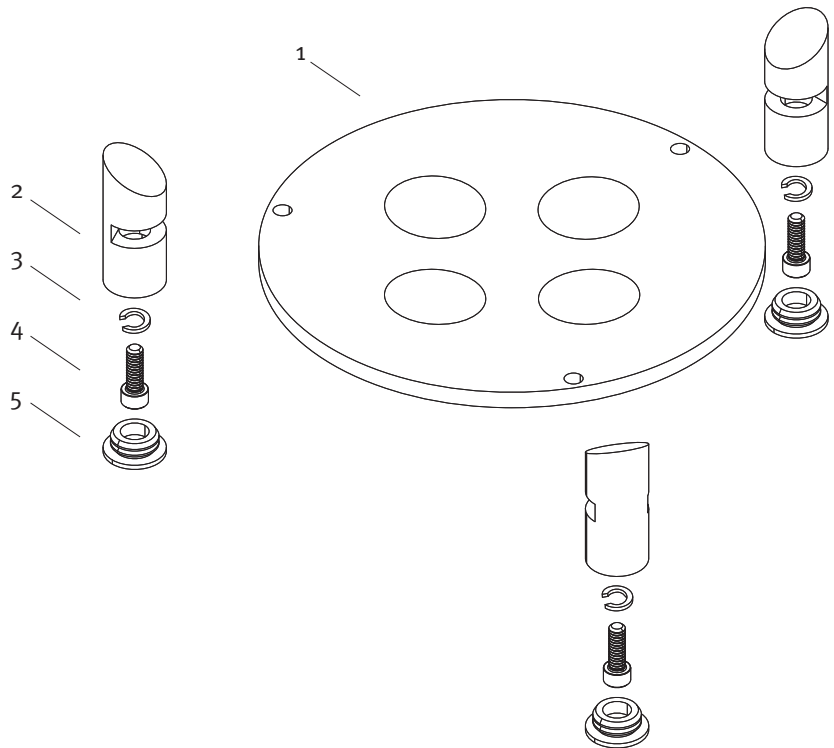


| No. | Clasif. | Descripción                                 | No. | Clasif. | Description                                    |
|-----|---------|---|-----|---------|--|
| 1   | Ra-800  | Cuerpo de Jabonera Sobremesa                | 1   | Ra-800  | Freestanding Soap Dish Body                    |
| 2   | Ra-801  | Soporte Jabonera                            | 2   | Ra-801  | Soap Dish Support                              |
| 3   | Ra-656  | Arandela de Presión No.8                    | 3   | Ra-656  | No.8 Pressure Washer                           |
| 4   | Ra-649  | Tornillo Allen 8-32 Unc-2a X 1/2" Ac. Inox. | 4   | Ra-649  | 8-32 Unc-2a X 1/2" Stainless Steel Allen Screw |
| 5   | Ra-795  | Empaque Base Jabonera                       | 5   | Ra-795  | Soap Dish Base Gasket                          |



Características:  
Accesorio de Sobreponer

Features:  
Freestanding Accessory

Datos Técnicos:  
Material:  
Latón

Technical Information:  
Materials:  
Brass